

AccessSmart Wi-Fi+ Tech Specs

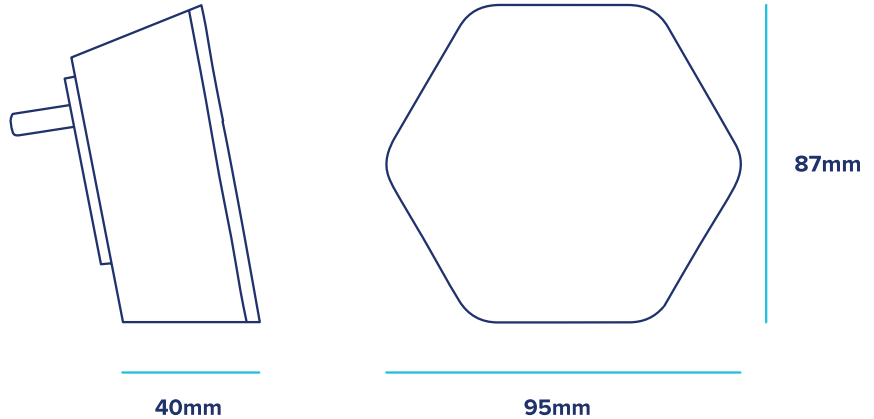
Size & Weight

Size

96mm W x 87mm H x 36mm D
Not including plug

Weight

217g



Wi-Fi & Ethernet Interfaces

Wi-Fi Interfaces

4x4 MIMO 802.11a/n/ac 5GHz Radio 1
2x2 MIMO 802.11a/n/ac 5GHz Radio 2
2x2 MIMO 802.11b/g/n 2.4GHz
Tri-band, tri-concurrent radio operation
5GHz MU-MIMO with Beamforming

Channel Bandwidth

5GHz
20/40/80 MHz
2.4GHz
20/40 MHz

Channels

5GHz
36 to 48, 149 to 161
2.4GHz
1 to 13

DFS Channels

52 to 64, 100 to 144
Region Dependent

Ethernet

Dual 100/1000Base-T Ethernet with
autosense WAN or LAN configuration

IoT Radios

Bluetooth Low Energy

Power

Power Supply

100 to 240VAC, 50 to 60Hz

Power Consumption

4.5W Standby
10W Average
15W Maximum

Plug Type

Type A (NA and Japan)
Type C/E/F (EU)
Type G (UK)

Environment

Operating Temperature

0°C to 40°C

Operating Relative Humidity

10% to 90%

Storage Conditions

-20°C to 70°C
10% to 90% (Relative Humidity)

Networking & Connectivity

Networking Modes

Auto-sensing Router or Bridge mode

Firewall and Networking

NAT, DHCP server, UPnP, client IP
reservation, port forwarding

Home SSIDs

Managed 2.4 GHz and 5 GHz
single SSID

Guest Access

HomePass® single network SSID with
multiple unique passwords

Security

Authentication

WPA2-PSK (KRACK Patched)

Encryption

AES